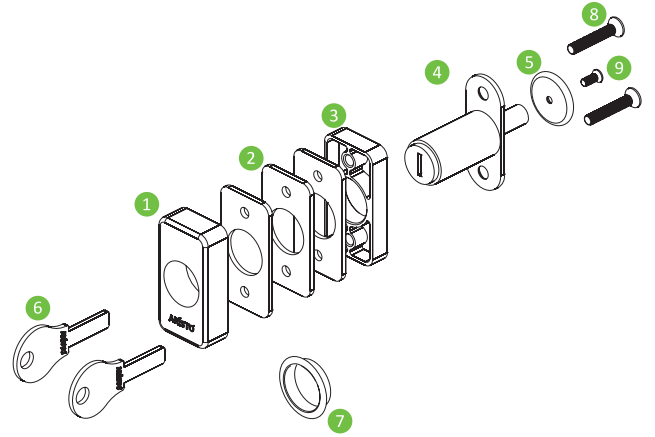
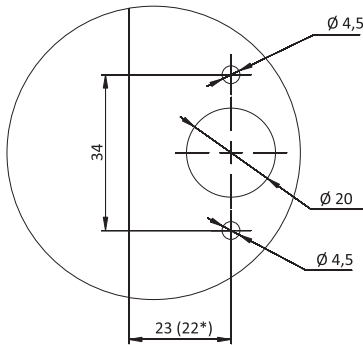


Lock Set Includes:

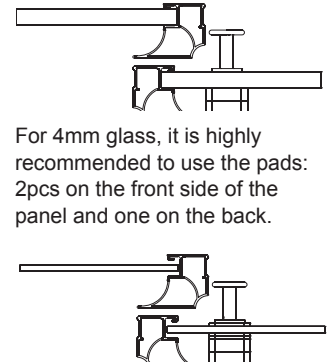
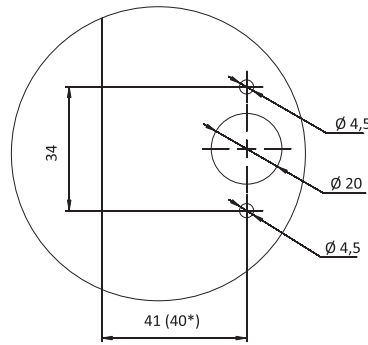
1. Front Cover - 1pc
2. Pad - 3pcs
3. Separation Element - 1pc
4. Lock Mechanism - 1pc
5. Plastic Plate - 1pc
6. Key - 2pcs
7. Decorative Ring - 1pc
8. Flat Point Screw 4*25 - 2pcs
9. Flat Point Screw 3*8 - 1pc



Standard System
Stiles C, O, Fusion, H

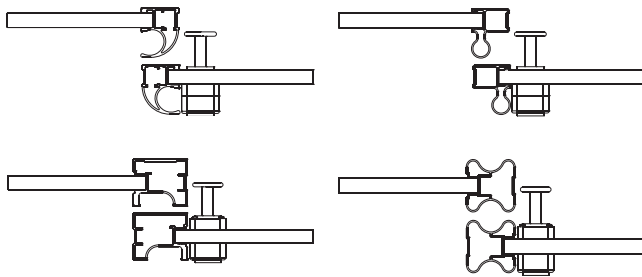


Standard System
Stile Flat

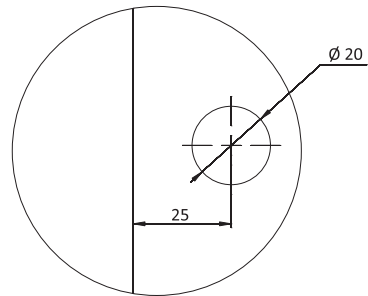


For 4mm glass, it is highly recommended to use the pads: 2pcs on the front side of the panel and one on the back.

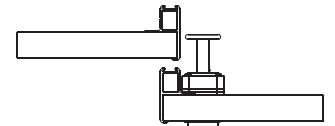
For asymmetrical profiles, the «separation element» is installed on the front side of the panel, for the symmetrical ones on the rear side.



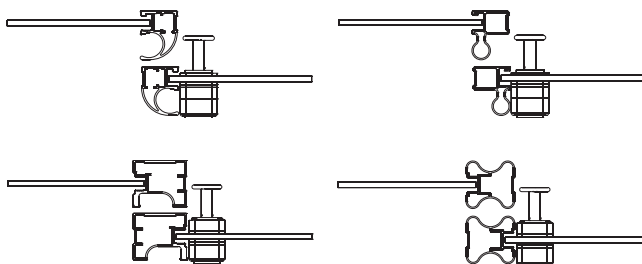
Nova System



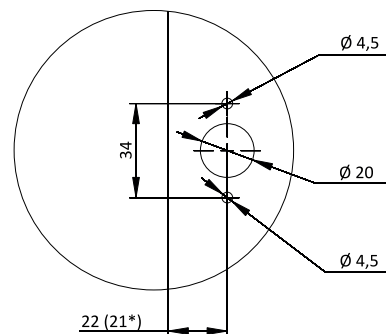
Install the decorative ring on the front side of the panel. Fix the lock to the panel with 3,5*25 self-tapping screws instead of the provided flat point type.



For 4mm glass, it is highly recommended to use the pads: 2pcs on the front side of the panel and one on the back.



Wave System



For 4mm glass, it is highly recommended to use the pads: 1pc on the front side of the panel and 2pcs on the back.



* Measurements for 4 and 8 mm panels