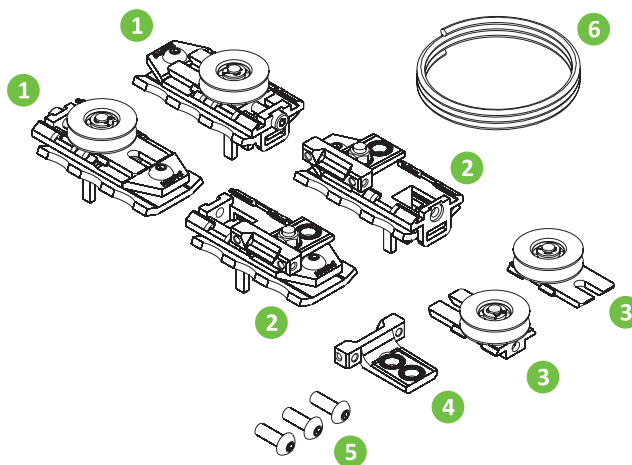
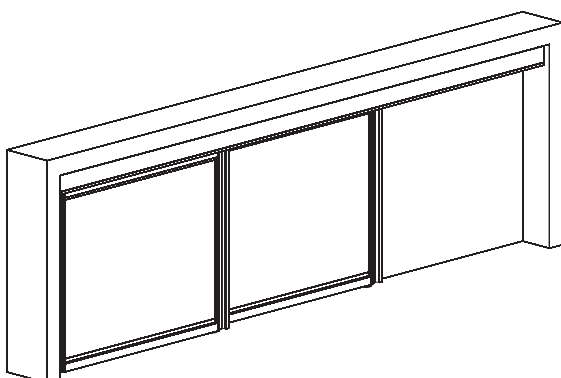


- 1. Stationary Roller for the Outer Top Track
- 2. Fixator for the Inner Top Track
- 3. Movable Roller for the Inner Door
- 4. Fixator for the Outer Door
- 5. Screws
- 6. Cable

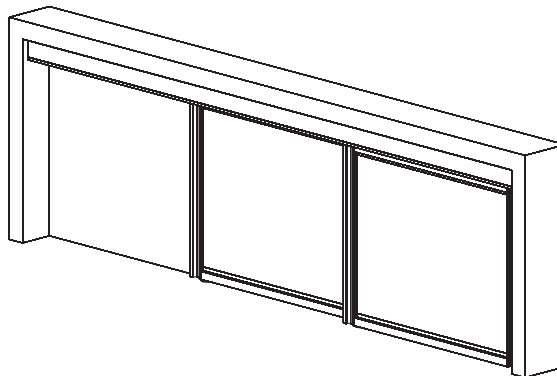


Installation Options

Left Side Opening



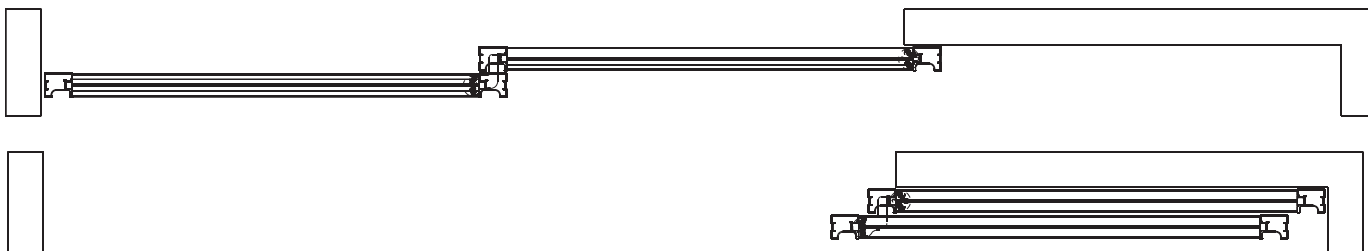
Right Side Opening



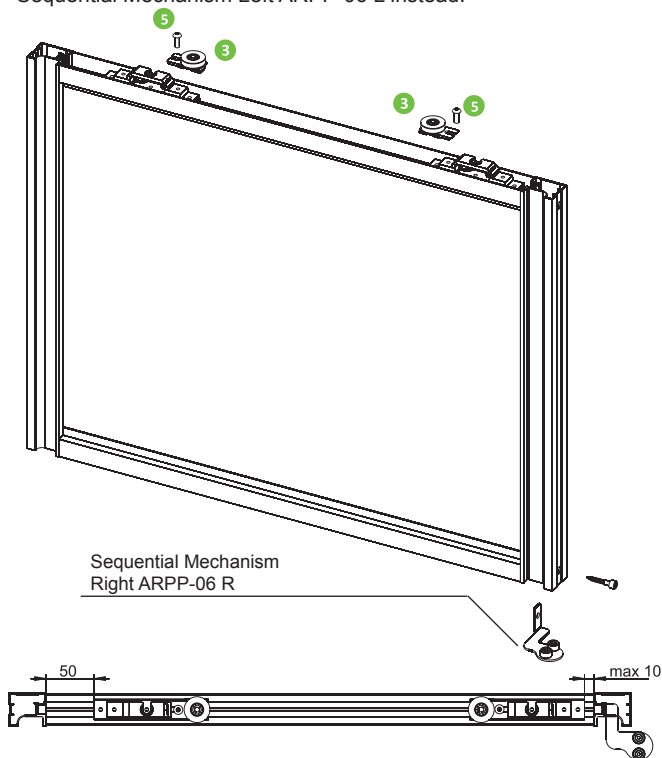
Right Side Opening



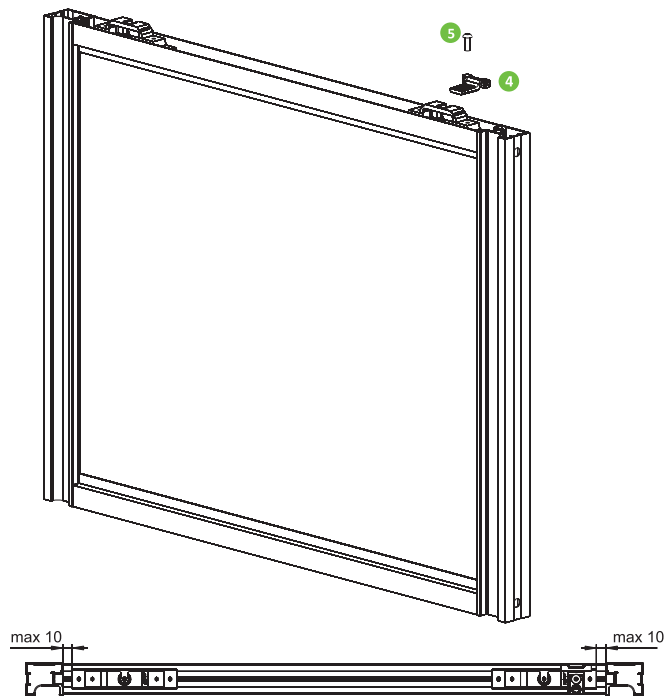
Left Side Opening



1 Install the fittings on the inner door. The image below shows a door with the opening on the right side. For a left side opening, it is necessary to mirror the installation of the fittings and use the Sequential Mechanism Left ARPP-06 L instead.

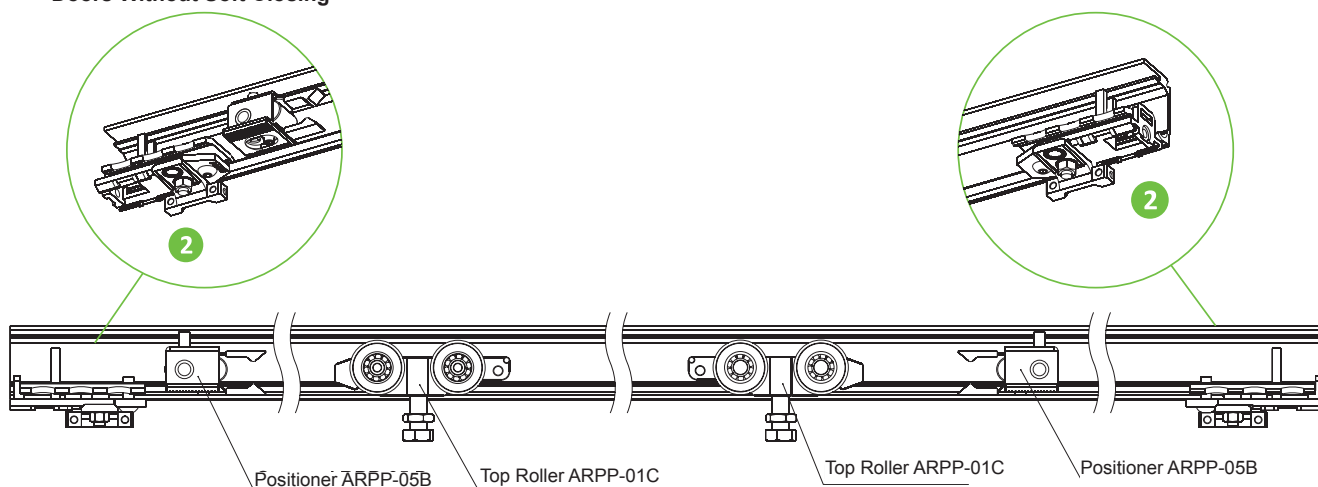


2 Install the fittings on the outer door. The image below shows a door with the opening on the right side. For a left side opening, it is necessary to mirror the installation of the fittings.

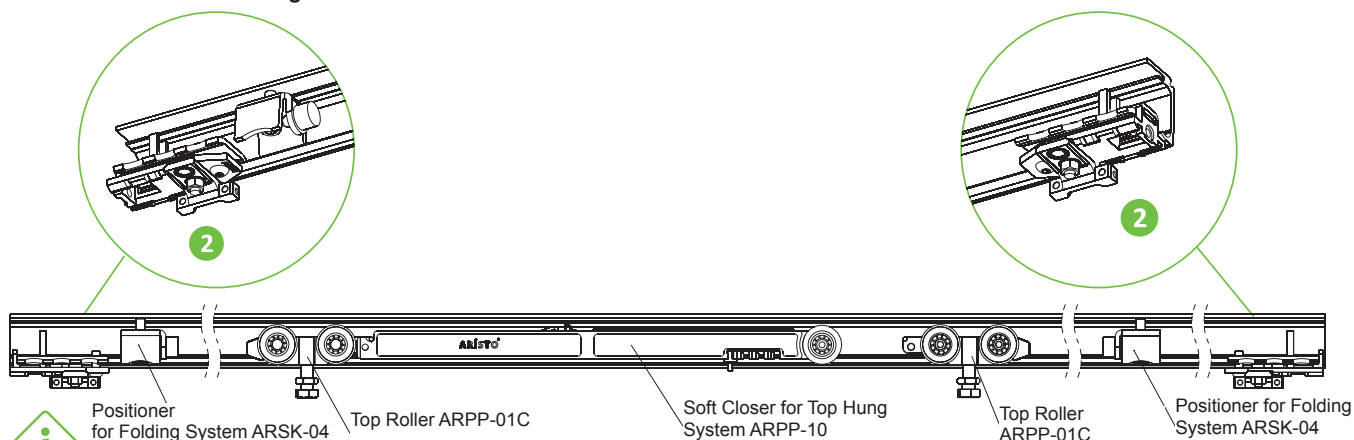


3 Insert the other fittings into the inner top track. Opening on the right side is shown. Fix the top track to the ceiling.

Doors Without Soft Closing



Doors With Soft Closing



Important:

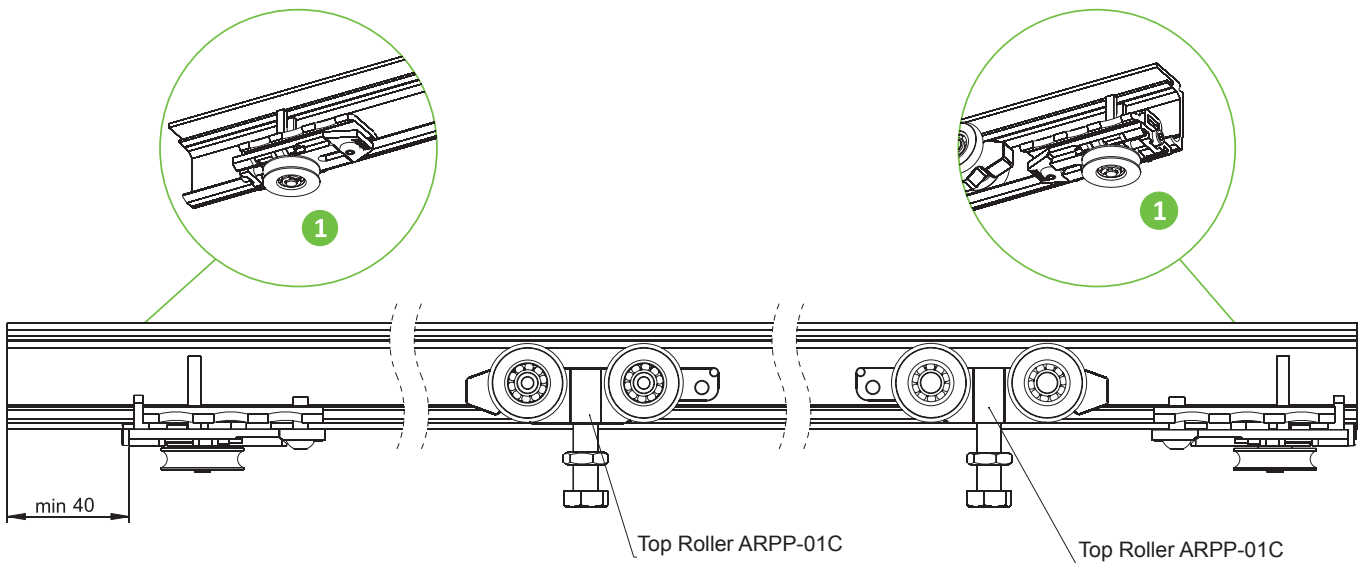
For using a Soft Closer, the width of the door has to be at least 650 mm.
Older varieties of the Top Roller, i.e. ARPP-01B do not work together with this new mechanism.

Recommendation:

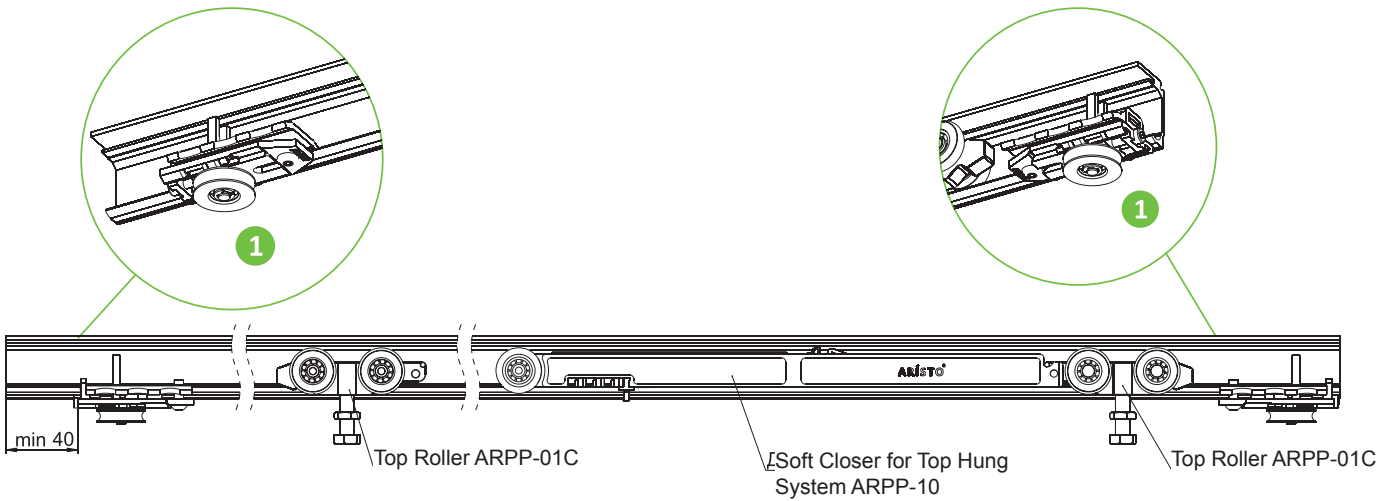
If the door is wider than 650 mm, you can install one Soft Closer on each door - One Soft Closer on the inner door to open and one more on the outer door to close.

4 Insert the other fittings into the outer top track. Opening on the right side is shown. Fix the top track to the ceiling.

Doors Without Soft Closing

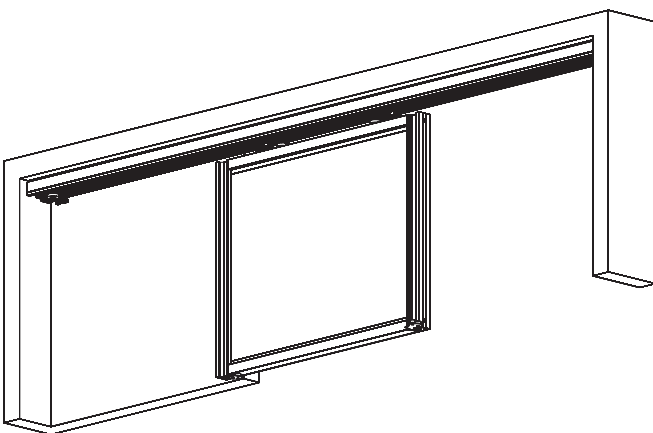


Doors with Soft Closer

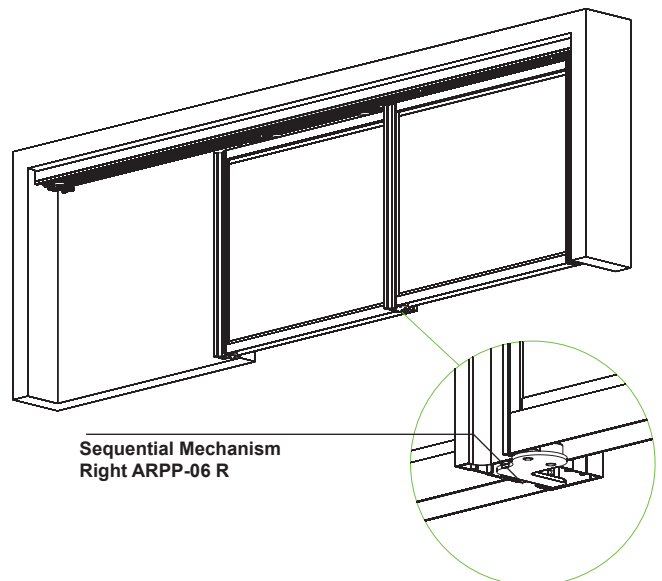


5 Install and adjust the doors.

Inner Door



Outer door



Important:
For using a Soft Closer, the width of the door has to be at least 650 mm.
Older varieties of the Top Roller, i.e. ARPP-01B do not work together with this new mechanism.

Recommendation:
If the door is wider than 650 mm, you can install one Soft Closer on each door - One Soft Closer on the inner door to open and one more on the outer door to close.

6 Insert the cable and fix it by turning the hexagon bolts. Adjust the Soft Closers, the Positioners and install the Top Track Cover CKRU0592.

